

WHIRLPOOL BRAND COMMERCIAL DRYERS



FRONT LOCK READY
Factory installed lock blank provides a visual vandalism deterrent.

To further discourage theft, order optional front panel lock assembly (part #358290) for the added security of tying the front and top panels together.

1/3 HP MOTOR

1/3 HP motor with overload protection.

THERMOSTAT

Single operating thermostat for simple accurate temperature control.



IMPROVED AIRFLOW SYSTEM
Whirlpool® commercial dryers have a new

Blower Housing Wave Insert to increase air velocity up to 10%. This increases efficiency, heating element lifespan, and improves fabric care.*

*Results per Whirlpool dryer testing conducted 7/03-8/04

LARGE CAPACITY METERCASE

Larger coinbox for reduced collections.



LARGE 7.4 CU. FT. DRUM CAPACITY

The increased capacity allows for large loads of clothes to tumble and spread, saving you and your customers drying time and expense.



LARGE LINT FILTER

Pull-out, 84 square inch lint filter.

4-WAY VENTING

4-Way venting from left or right side, back or bottom.



SIDE SWING DOOR

For convenient access, the wide-opening side-swing door can be opened a full 180°.



RUST PROOF SCREWS

Rust Proof Stainless Steel Torx® control panel screws give your machines added security and service life.

COMMERCIAL DRYERS

Featuring Factory Installed
Coin Slide and Coin Box



NEW!
Factory
Installed
Top Lock

CEM2750TQ — 27" Electric Dryer **CGM2751TQ — 27" Gas Dryer** with Factory Installed Coin Slide & Coin Box

- Large 7.4 Cu. Ft. Drum Capacity
- Push Button Controls with Stainless-Look Console
- 3 Cycles: Regular/Heavy (High Heat), Permanent Press (Medium Heat), and Knits/Delicates (Low Heat)
- Large, Removable, Door-Mounted Lint Screen (84 Sq. In.)
- 180 Degree Wide-Opening Side-Swing Door
- Porcelain Top, Powdered Paint Cabinet
- Front-Service Accessibility
- 4-Way, Multi-Vent Options (Back, Bottom, and Sides)
- Electric Model Features Element Rated at 5600 Watts, 240-Volt
- Gas Model Features a 22K BTU Burner
- Motor: 1/3-HP With Built-In Overload Protector; Centrifugal Switch Turns Off Heating Element When Motor Stops
- Easy-to-Follow Console Instructions
- Power Cord Sold Separately (Electric Model Only)
- 8 Quarter Coin Slide Capacity, Set Your Dry Price From \$0 - \$2 Per Cycle (\$1 Factory Preset)
- 3 Year Limited Parts Only Warranty*

*Call 1-800-NO-BELTS for warranty details

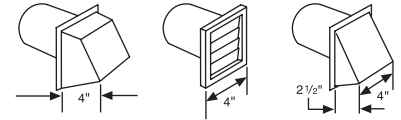
COMMERCIAL DRYER SPECIFICATIONS

DRYER SPECIFICATIONS

MODEL NUMBER	CEM2750TQ ^{††}	CGM2751TQ [†]
GENERAL INFORMATION Stainless-Look Push Button Console, white enamel drum, porcelain finish top, powdered paint cabinet, front panel lock blank factory installed, removable indoor lint filter, improved meter case. 4-way venting	Metercase Model Factory Installed Coin Slide and Coin Box, \$0-2 per Cycle, \$1.00 Factory Preset	Metercase Model Factory Installed Coin Slide and Coin Box, \$0-2 per Cycle, \$1.00 Factory Preset
ELECTRICAL REQUIREMENTS	3-Wire Nominal 240/208-Volt, 60 Hz, A.C. Standard 30 Amps Breaker/Fuse Branch Circuit per Dryer (Subject to Local Codes)	Nominal, 120-Volt, 60Hz A.C., Standard 15 Amps Breaker/Fuse Branch Circuit per Dryer (Subject to Local Codes)
MOTOR	1/3 HP Single Speed Motor with Built-In Overload Protector 5.9 Amps Max Rating	1/3 HP Single Speed Motor with Built-In Overload Protector 5.9 Amps Max Rating
HEATER TYPE	ELECTRIC	GAS**
HEATER/BURNER RATING (Add 500 Watts Approx. for Motor on all Dryer Models)	Heater Rated at 5600 Watts	22,000 BTU _h Natural Gas
OPERATIONAL AMPERAGE (Does not Include Control or Gas Valve)	Motor—4.0 Amps No load Heater 23.33 Amps at 240 Volt 27.33 Total	Motor—4.0 Amps No load
DIMENSIONS See Illustration Below	43" H*, 27" W, 28.5" D	43" H*, 27" W, 28.5" D
SHIPPING WEIGHT (EST.)	134 Lbs.	135 Lbs.
DRUM VOLUME	7.4 Cu. Ft.	7.4 Cu. Ft.

Exhaust Information

All dryers require the equivalent of a 4-inch diameter exhaust duct. Rigid metal duct is recommended. Failure to properly exhaust the dryer will result in improper operation.

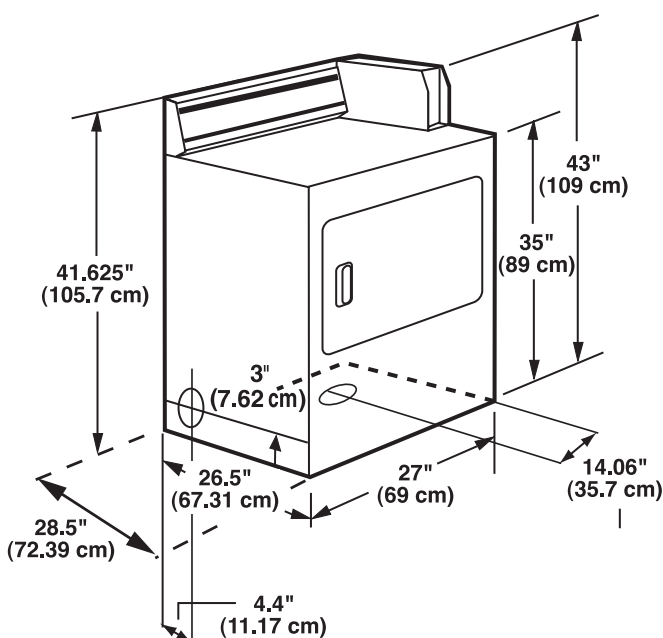


27" & 29" Dryer Venting Requirements

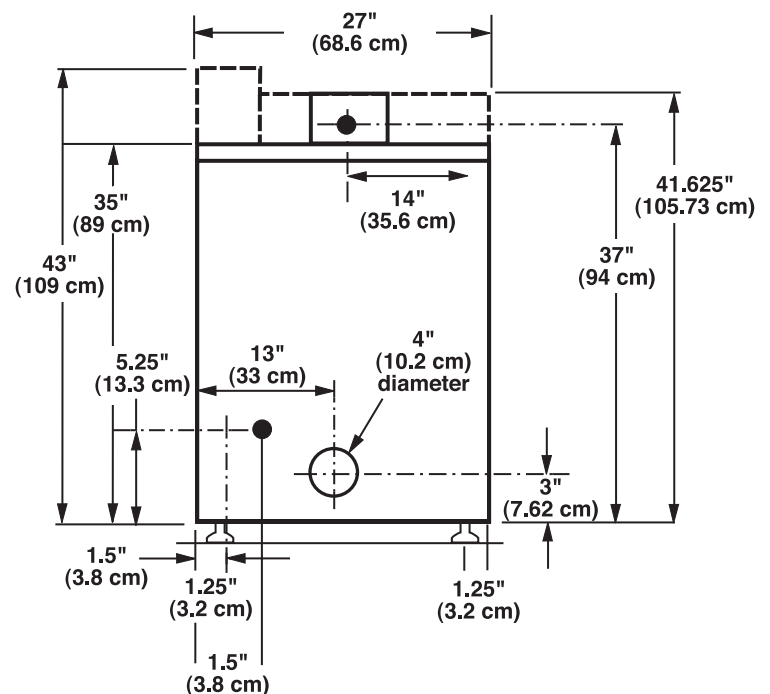
# of 90° turns	4" Hood	2 1/2" Hood
Maximum length of 4" diameter rigid metal duct		
0	64 Ft.	58 Ft.
1	54 Ft.	48 Ft.
2	44 Ft.	38 Ft.
3	35 Ft.	29 Ft.
4	27 Ft.	21 Ft.
Maximum length of 4" diameter flexible metal duct		
0	36 Ft.	28 Ft.
1	31 Ft.	23 Ft.
2	27 Ft.	19 Ft.
3	25 Ft.	17 Ft.
4	23 Ft.	15 Ft.

Dimensions are for planning purposes only. For complete information, see installation instructions packed with product.

*Height at meter case top. **Burner orifices are available for manufactured, natural, mixed, and LP gas with varying BTU ratings. † LP conversion Kit: 49572. ††Power cords on electric models sold separately. Energy information is available online at www.whirlpoolcommerciallaundry.com/products.



DRYER FRONT VIEW



DRYER BACK VIEW